



Spy Video TRAKR™

Programmable RC Vehicle

Ages 8 and up
70337

spytrakr.com

Important: Please save this instruction sheet. It contains valuable product information.

Spy Video TRAKR is the first RC vehicle that's powered by applications—high tech programs that let you see in the dark, map out select paths, and have the vision of a robotic spy. Visit spytrakr.com to download more free apps or build your own!

STEP 1: PUT IT TOGETHER

- Insert 10 AA batteries (see reverse)
- Snap up the ANTENNA
- Attach the TRANSPORT DECK

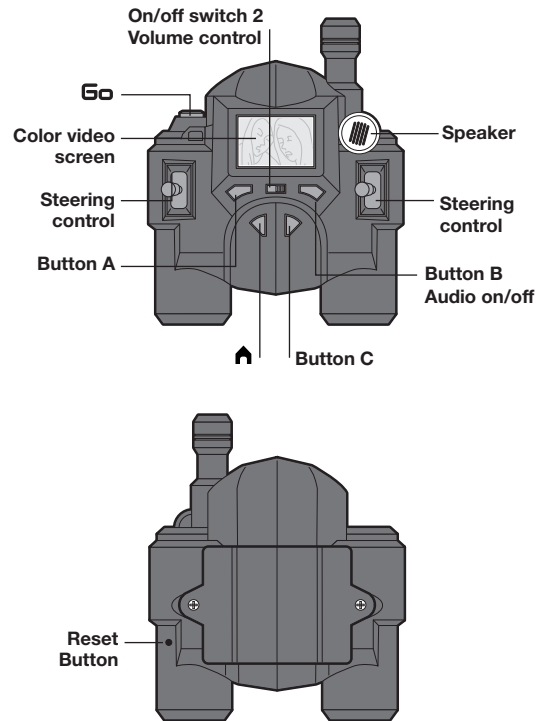
STEP 2: TURN IT ON

- Power on the TRAKR using ON/OFF SWITCH 1.
- Power on the remote control using ON/OFF SWITCH 2.
- Power on the speaker using the AUDIO ON/OFF button, and select quiet or loud volume with the VOLUME CONTROL switch.

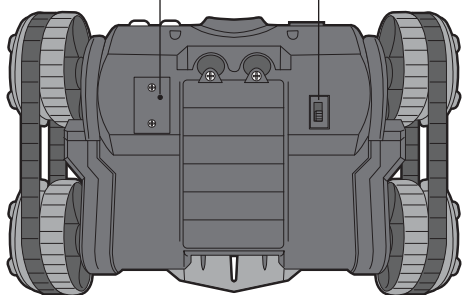
Spy Video TRAKR



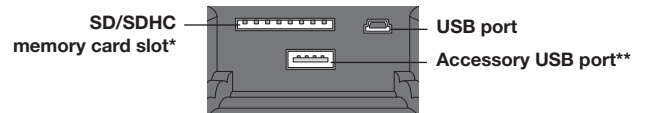
Remote Control



Reset button **On/off switch 1:**



Spy Video TRAKR - Back Side



*SD/SDHC memory card not included

**For use with Spy Video TRAKR accessories, available in 2011!

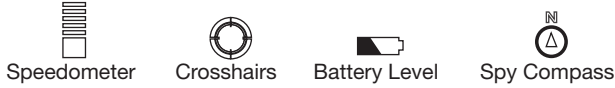
STEP 3: CHOOSE AN APP OR NORMAL MODE

View the Menu by pressing **Home**.

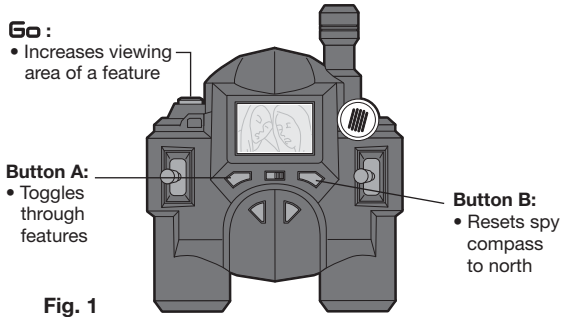
Scroll through the apps using the STEERING CONTROLS.

Choose your app by pressing **Go**.

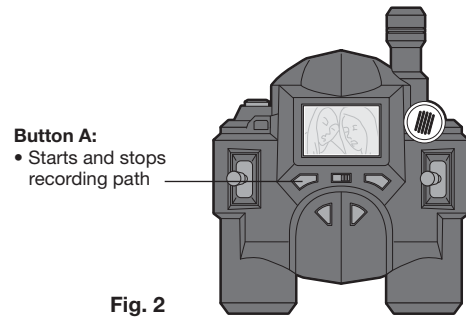
- **Night Vision:** Secretly watch people in the dark. You can see them but they can't see you!
- **Cyborg Vision:** Monitor your suspects with high tech features: a speedometer, spy compass and crosshairs. Press Button A to toggle between features. Press **Go** to increase the viewing area of that feature. Press Button B to reset the spy compass to north. (Fig. 1)



CYBORG VISION BUTTON FUNCTIONS



PATH MAPPER BUTTON FUNCTIONS

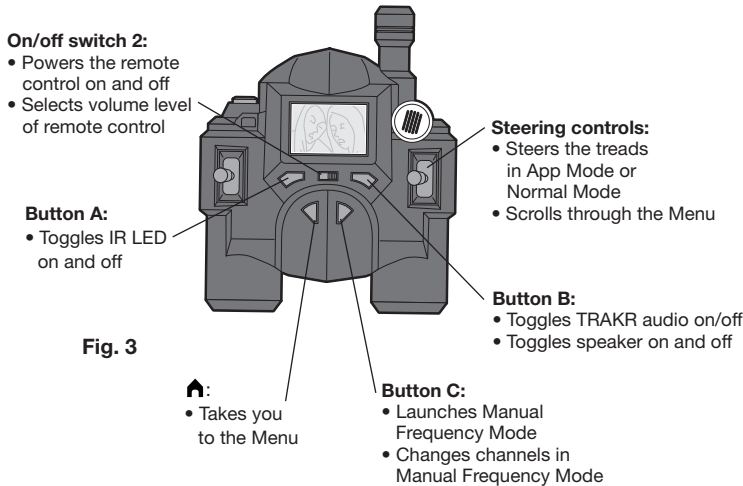


NORMAL MODE

Spy on enemy agents using color video with sound—no apps needed!

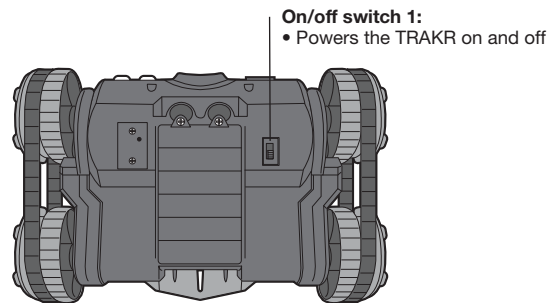
- Press **Button A** to toggle the IR LED light on or off. Using the IR LED works great in dark rooms.
- Press **Button B** to toggle the speaker on or off. Turn it off to drive in stealth mode! (Fig. 3)

NORMAL MODE BUTTON FUNCTIONS



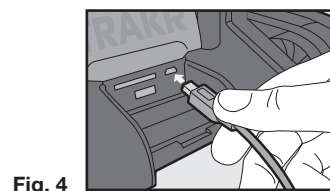
HOW TO USE MANUAL FREQUENCY

- The TRAKR will automatically find the clearest channels for video and audio and will change channels if the signal strength gets too low, but Manual Frequency gives you even more control over these settings. Press and hold **Button C** to enter Manual Frequency. The TRAKR will stay fixed on a single channel unless you select a new one. Press **Button C** to find the next strongest channel. Press **Go** to return to return to automatic mode.



STEP 4: CUSTOMIZE IT!

Ready to take your TRAKR to the next level? Visit spytrkr.com so you can download free apps, build your own, and share them with other agents! Plug the yellow USB CABLE into the yellow port on the TRAKR (Fig. 4), then plug the other end into your computer.



BATTERY INSTRUCTIONS

The Spy Video TRAKR uses 10 AA (LR06) batteries (6 for the TRAKR and 4 for the remote control), not included. (Fig. 5)

- Only adults should install and replace batteries.
- Rechargeable batteries are to be removed from the TRAKR before being charged.
- Rechargeable batteries are only to be charged under adult supervision.
- Non-rechargeable batteries are not to be recharged.
- Remove dead or exhausted batteries.
- Insert batteries correctly. Match positive and negative signs.
- The supply terminals are not to be short circuited.
- Do not mix alkaline, standard (carbon-zinc), or rechargeable (nickel-cadmium) batteries.
- Do not mix old and new batteries.
- Only the batteries of the same or equivalent type recommended to be used.
- Do not dispose batteries in a fire; they may explode.
- Dispose of batteries safely.

ATTENTION ADULTS: TO REPLACE BATTERIES

1. Use a small Phillips head screwdriver to loosen the screws on the battery compartment of both the vehicle and the remote. The screws will not fall out.
2. Open battery cover. Remove exhausted batteries.
3. Place new batteries in compartment as shown in the image.
4. Replace the battery cover and tighten screws.

SAFETY

- Don't drive Spy Video TRAKR in sand or through water (even small puddles) or snow.
- To avoid damage to the video camera or internal electronics, do not drive Spy Video TRAKR off curbs or down stairs.
- Don't store Spy Video TRAKR near heat or in direct sunlight.
- Always turn switches OFF and remove all batteries for storage.
- Warning! Use under the direct supervision of an adult.
- Never drive Spy Video TRAKR on real streets.
- Keep fingers, hair, and loose clothing away from the treads while the vehicle is switched on.

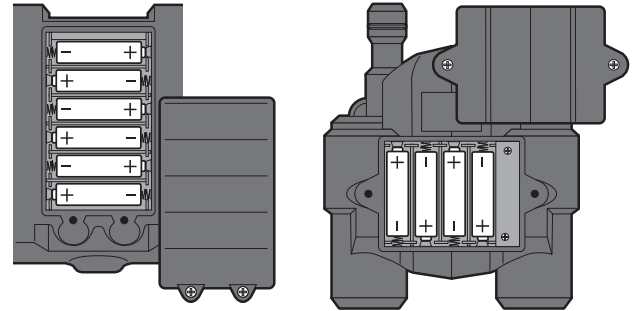


Fig. 5

TROUBLESHOOTING GUIDE

Symptom	Probable Cause	Solution
The TRAKR will not operate.	The batteries are dead or have a low charge.	Replace the batteries and always remember to turn off the power switches on the TRAKR and remote control to save battery life when not in use.
	The batteries may not be installed correctly.	Make sure the battery direction (polarity, +/-) is correct.
	Power switches are OFF.	Make sure the power on both the remote control and the TRAKR are ON.
	TRAKR may be in sleep mode.	Power down the TRAKR and remote for 10 seconds, then power them on again. If that doesn't work, try pressing the RESET buttons on the TRAKR and remote control using a pen or paperclip.
The TRAKR slows down or the video screen starts to fade.	The batteries are dead or have a low charge.	Replace the batteries and always remember to turn off the power switches on the TRAKR and remote control to save battery life when not in use.
	The TRAKR is getting out of range.	Try holding the remote control higher above the ground. If that does not work, move closer to the TRAKR.
There is no image on the video screen.	Power switches are OFF.	Make sure the power on both the remote control and the TRAKR are ON.
	The batteries are dead or have a low charge.	Replace the batteries and always remember to turn off the power switches on the TRAKR and remote control to save battery life when not in use.
The TRAKR is moving about erratically, not under the control of the remote. Note: If this happens while using Path Mapper, it's a GOOD thing!	You are playing near areas with radio interference, other RC vehicles, high-tension wires, large buildings, CB radios.	Move to a new location.
	The TRAKR is out of range.	Try holding the remote control higher above the ground. If that does not work, move closer to the TRAKR.
	The batteries have a low charge.	Replace the batteries and always remember to turn off the power switches on the TRAKR and remote control to save battery life when not in use.
	The remote control antenna is not sending clear signals.	Point the remote control antenna up in the air, not at the TRAKR.
The video screen is flickering a lot.	You are playing near an area with radio interference or home electronics.	Move to a new location.
	There is more than one TRAKR running in the same location.	Using Manual Frequency Mode, set your TRAKR on a different channel.

TROUBLESHOOTING GUIDE – Cont.

Symptom	Probable Cause	Solution
After inserting batteries, the TRAKR won't power on or is driving erratically.	The circuits contain residual power.	Press the reset button on the bottom of the TRAKR using a pen or paperclip.
"NO SIGNAL" appears on the screen, even if both car and remote are powered.	Connection between the remote and TRAKR has been lost.	Try turning the power for each side off, then on again.
Video files I saved on my SD card will not play on my computer.	There may be incompatibility between the TRAKR video files (AVI format) and the operating system or media player on your computer.	Use Quicktime as your media player. It is especially stable with AVI files. or Convert the video file to another format or Download a new codec for your current media player at a trusted website like www.divx.com
When both motors are fully powered forward, the TRAKR pulls to one side.	One motor/gearbox is slightly faster than the other.	Adjust the trim. The TRAKR doesn't have a manual trim setting, but you can download an app to adjust the trim from spytrakr.com .
The TRAKR remote control is making a loud screeching noise.	The speaker is too close to the microphone.	Move the TRAKR farther away from the remote control. or Lower the volume by moving On/off switch 2 to the center position. or In Normal Mode, press Button B to silence the speaker.

Warning! Changes or modifications to this equipment not expressly approved by the party responsible for compliance could void the user's authority to operate the equipment.

REMOTE ID: N3ESPYVIDEOTRAKR1
 TRAKR ID: N3ESPYVIDEOTRAKR2

This device complies with part 15 of the FCC Rules. Operation is subject to the following two conditions:
 (1) This device may not cause harmful interference, and
 (2) This device must accept any interference received, including interference that may cause undesired operation.

NOTE: This unit has been tested and found to comply with the limits for a Class B digital device, pursuant to Part 15 of the FCC Rules. These limits are designed to provide reasonable protection against harmful interference in a residential installation. This unit generates, uses, and can radiate radio frequency energy and, if not installed and used in accordance with the instructions, may cause harmful interference to radio communications.

However, there is no guarantee that interference will not occur in a particular installation. If this unit does cause harmful interference to radio or television reception, which can be determined by turning the unit off and on, the user is encouraged to try to correct the interference by one or more of the following measures:

- Reorient or relocate the receiving antenna.
- Increase the separation between the unit and receiver.
- Connect the unit into an outlet on a circuit different from that to which the receiver is connected.
- Consult the dealer or an experienced radio TV technician for help.

Operating frequency: 2.4 Ghz

SYSTEM REQUIREMENTS

- Compatible with Mac (OSX) Windows (XP, Vista, Windows 7) and Linux computers
- USB port required
- Internet connection required to access online content



SPY VIDEO TRAKR 70337-4000 PS 6/10

IF YOU HAVE ANY QUESTIONS, PLEASE CONTACT US AT
 1-800-247-6570
 WILDPLANET.COM/HELP
 Wild Planet Entertainment, Inc., P.O. Box 420
 San Francisco, CA 94104-0420

© 2010 Wild Planet Entertainment, Inc., San Francisco, CA 94104, USA.
 All rights reserved. **PRINTED IN CHINA.** Foreign patents pending.
 Product colors and specifications subject to change.